

# Shepherd 220A/AT

## Installation Manual

Rev 1.1

---

visit [www.ca-tec.com](http://www.ca-tec.com)





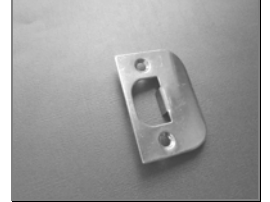
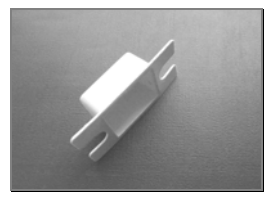

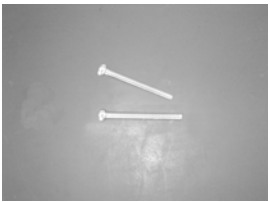
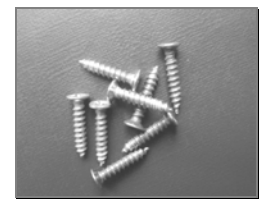
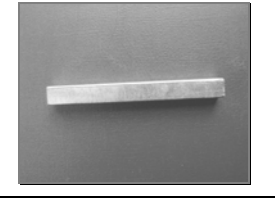

# Table of Contents


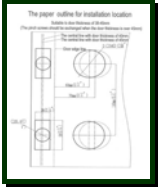
<b>1. Product and Accessories</b> .....	2
1.1 Parts List.....	2
1.2 Parts Composition.....	3
<b>2. Installation</b> .....	5
2.1 Preparation before Installation.....	5
2.2 Drill Holes.....	6
2.3 Adjust Latch's Backset.....	6
<b>3 Install Latch and Strikes</b> .....	8
3.1 Install Latch .....	8
3.2 Install Strike.....	9
<b>4 Install the Lock Units</b> .....	10
<b>5 Check and Adjust after Installation</b> .....	11

# 1. Product and Accessories

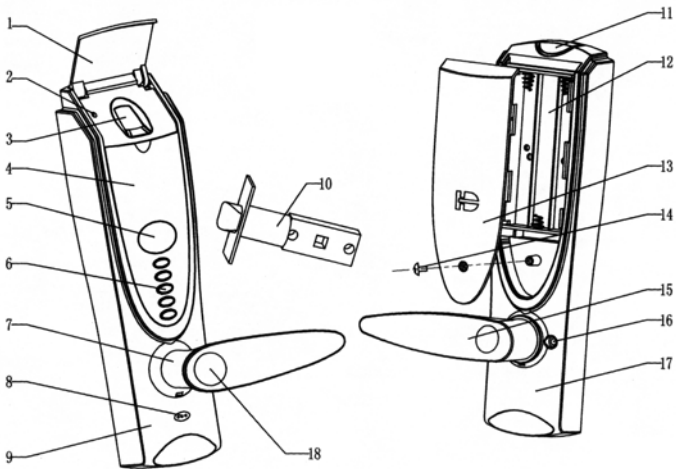
## 1.1 Parts List

After open the package, please check the product and its accessories. If they are missing or damaged, please contact your dealer for replacement.

		
Indoor unit	Outdoor unit	Emergent keys
		
Latch	Latch strike	Strike lining box
		
Pinch Screws (M4×48)	Pinch Screws (M4×35)	Wood screw
		
Square axis for latch	Spring	

<p>Shepherd 220A/AT Operations Manual</p> <p>Rev. 3.0</p>  <p>ArrowVision</p>		
<p>The Manuals</p>	<p>Cutout template sheet</p>	

## 1.2 Parts Composition

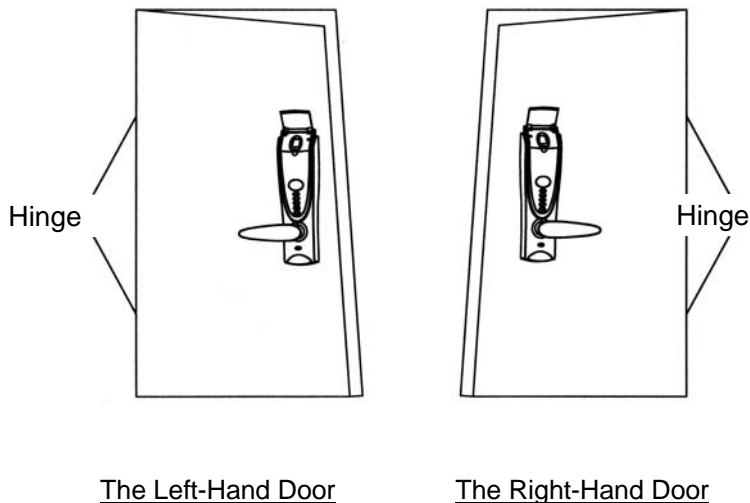


1. Scanner cover	10. Latch
2. Indicator LED	11. No Disturb switch
3. Fingerprint scanning window	12. Battery compartment
4. Front Panel	13. Battery compartment cover
5. Display	14. Battery compartment screw
6. Keypad	15. Indoor lever
7. Outside lever	16. Pinch screws
8. Emergent keyhole cover	17. Indoor unit body
9. Outdoor unit body	18. Emergent keyhole cover

## 2. Installation

### 2.1 Preparation before Installation

The lock lever direction must correspond to the door left-handed or right-handed. If not, you should ask the seller to exchange for the lock with suitable lever (refer to Figure1)



**Fig1: Check for proper lock lever direction**

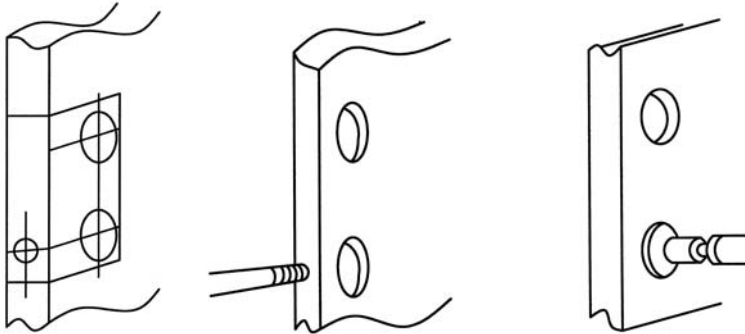
#### **☀ Tip: How to determine the door opening direction?**

*Standing outdoors and facing to door: If the hinge is at the left side of the door, the door is left-handed door - the left-handed lock should be used. If the hinge is at the right side of the door, the door is right-handed door - the right-handed lock should be used.*

The lock lever is designed according to the current standardized 2 lock hole doors in the US market. If there is only one hole or no hole in the door, drill 2 1/8" face holes and 1" edge bores using the door lock installation kit from such as BLACK & DECKER Inc.

## 2.2 Drill Holes

(1) Paste the provided cutout template on the door as the figure. Mark 1" holes at center of door edge and make 2" holes at the surface of the door (the offset is 2 3/8" or 2 3/4" from door edge to the center of the 2" hole).

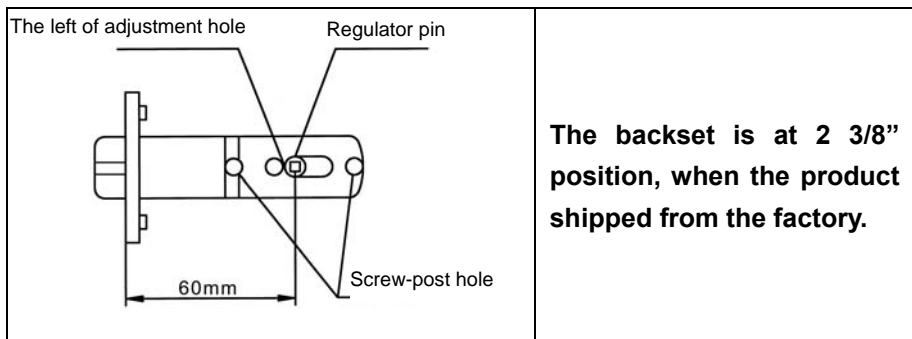


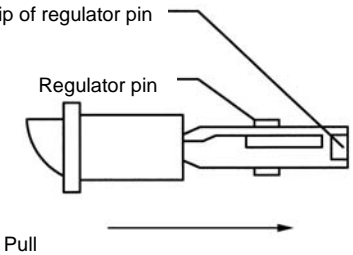
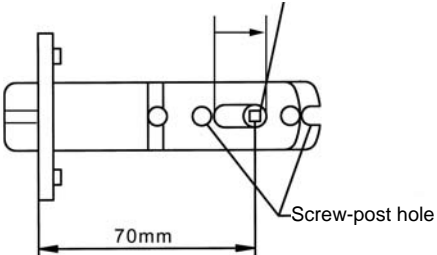
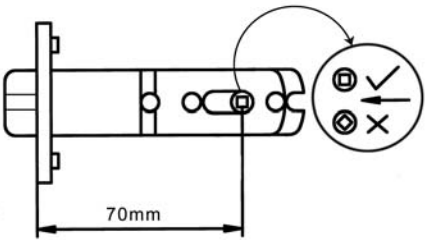
(2) Drill two 1" holes on door edge. And drill two 2" holes on the door surface.

**Note:** To avoid the door surface be cracked, the 2" holes should be drilled from both sides.

(3) There are two adjustable backsets to be chosen: 2 3/8" and 2 3/4" for both latch and deadbolt.

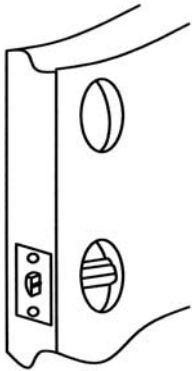
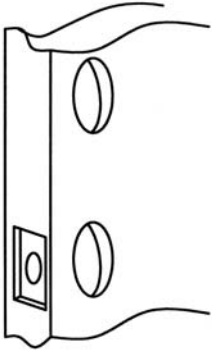
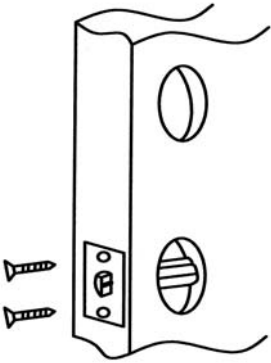
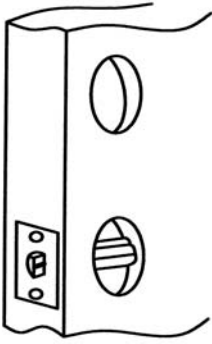
## 2.3 Adjust Latch's Backset



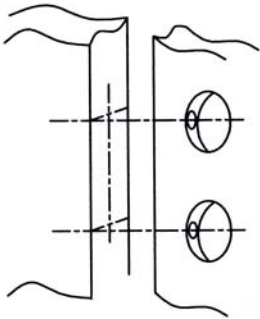
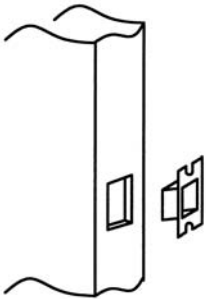

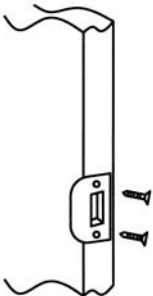
<p>The clip of regulator pin</p> <p>Regulator pin</p>  <p>Pull</p>	<p>Pull regulator pin to the right edge.</p>
<p>The right edge of adjust hole</p>  <p>70mm</p> <p>Screw-post hole</p>	<p>The backset has been adjusted to 2 3/4" position.</p>
 <p>70mm</p>	<p><b>Make sure of the regulator pin at correct angle as the left figure.</b></p>

### 3 Install Latch and Strike

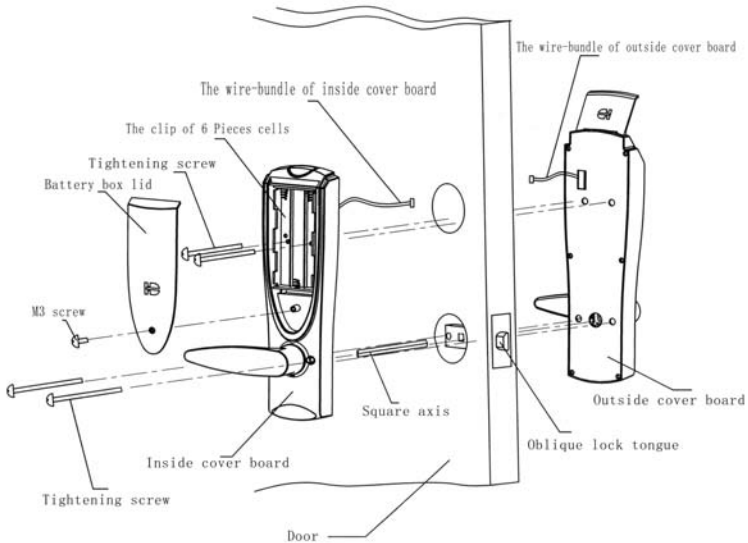
#### 3.1 Install Latch

	
<p>Insert the lock bolt into the hole, mark the frame lines of foil board. The frame lines should be parallel with the door edge.</p>	<p>Dig a support notch 1/8" in depth. The notch edge lines should be parallel with the door edge.</p>
	
<p>Insert latch and tighten the screws. (the oblique plane of latch should face to door closing direction)</p>	<p>After the screws are tightened, the foil board should be exactly in the door center and parallel with door edge.</p>

### 3.2 Install Strike

	
<p>Close the door; use pencil to mark strike hole in the doorjamb from face hole.</p>	<p>Dig a square concave according to the strike size at the marked location in the doorjamb.</p>
	
<p>Draw strike plate line and screw holes center dig a support nest 1/16" in depth.</p>	<p>Install strikes, tighten the screws.</p>

## 4 Install the Lock Units



- (1) Insert two screw posts on the outdoor unit into two regulator holes in the latch. Pass cable through upper hole of the door. Let outdoor unit remain close on the door surface.
- (2) Pass the square axle through the square hole of regulator pin of the latch and the outside lever connecting with the outdoor unit.
- (3) Remove the battery compartment cover on the indoor unit.
- (4) Connect the cable between indoor and outdoor unit.
- (5) Put the spring (which is packed with pinch screws in accessories bag) into the square hole at indoor unit.
- (6) Align and insert square axis into the square hole at indoor unit. Push indoor unit to inner door surface.
- (7) Fasten two M4×35 pinch screws (shorter ones) through the two holes in

battery compartment on the upper indoor unit.

(8) Fasten two M4×48 pinch screws (longer ones) through the two holes on the lower indoor unit near the lever.

(9) Install 6 pieces of AA batteries. Fasten battery compartment cover with a M3 screw.

## **5 Check and Adjust after Installation**

Before continual, double check the mechanical:

(1) Leave door open, turn the indoor lever, latch should freely in and out. Turn outdoor lever, latch should not move.

(2) Install batteries, and open the scanner cover to power on the lock. Turn outside lever, latch should move in.