



Control your property rental time  
remotely, securely, economically, and easily



# eRL-08<sup>®</sup>

*Rental Property Remote Access Control System*

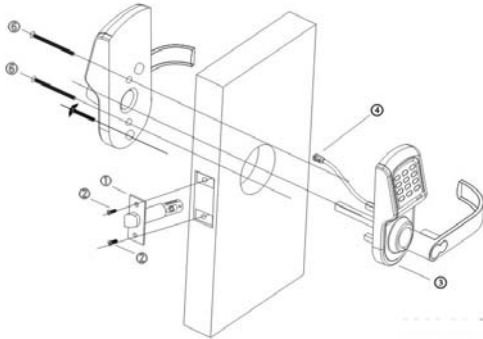
Lock Device

# Installation Manual

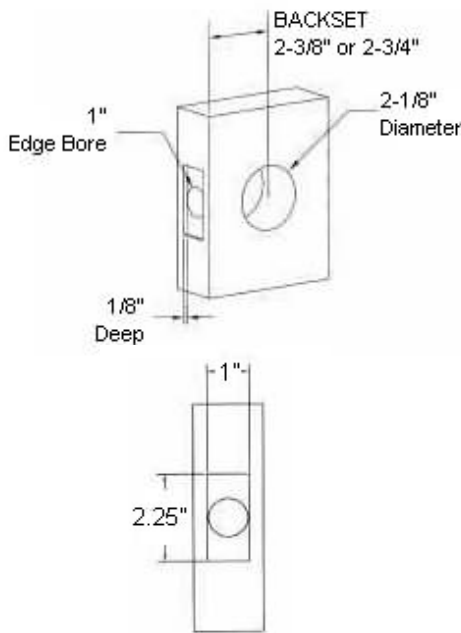
-Version 1.0

### 1. Installation Overview

Below is a diagram of the eRL-08 Lock Device installation overview.



### 2. Door Preparation



If you are installing the eRL-08 Lock Device in a door with pre-drilled holes, the lock will fit most standard doors. To confirm that the lock will fit your door, please verify the following measurements:

- Backset is either 2-3/4" or 2-3/8"

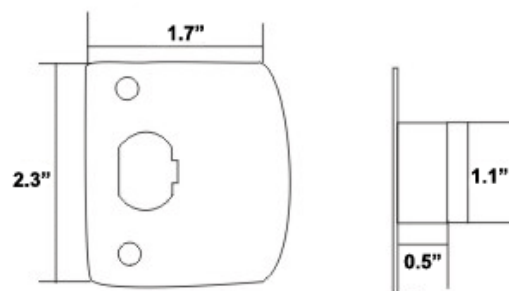
(Backset is the measure from the edge of the door to the center of the handle hole).

- Door handle hole is 2-1/8".
- Latch hole is 7/8".

If you're installing the eRL-08 Lock Device in new door that doesn't have pre-drilled holes, please follow the instructions below.

- Bore a 2-1/8" hole through the door. The center of this hole should be located 2-3/8" or 2-3/4" back from the edge of the door (this is the backset dimension).
- Bore a 1" hole in the edge of the door located on the centerline of the 2-1/8" hole. The latch will fit into the 1" hole.
- Chisel out a 1"x2.25" rectangle on the edge of the door, 1/8" deep. The latch faceplate will sit in this recession.

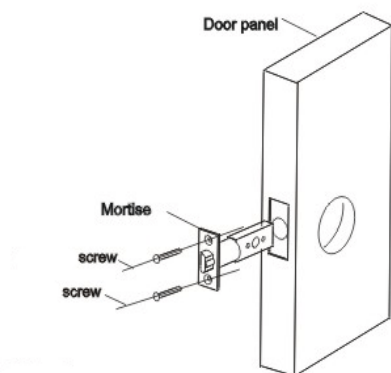
### 3. Doorjamb Preparation



- Chisel out a 1.1"x0.95" rectangle, 0.5" deep cavity on the doorjamb which is located on the centerline of the latch hole when the door is closed, to accept the strike lining box in the doorjamb.

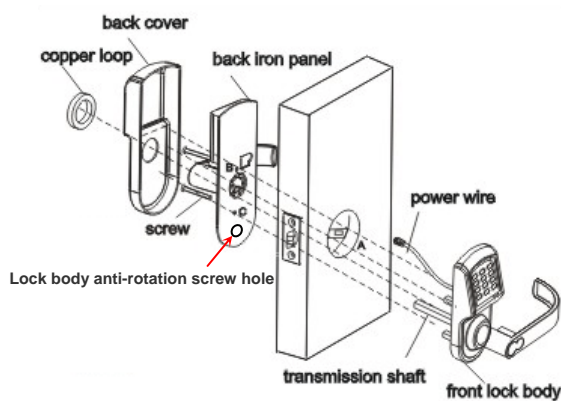
- Draw strike plate line and screw hole, cut 1/16" notch for the strike plate.

### 3. Installing the Latch



Place the latch through the latch hole positioned correctly for latching your door. Leave the latch loose until both the front lock body and back iron panel are installed.

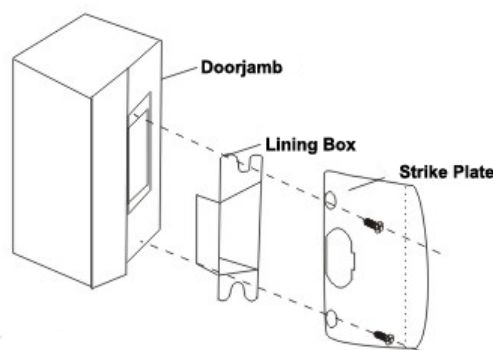
### 4. Installing the Lock



- Place the front rubber gasket on the back of the front lock body.
- Put the power wire of the front lock body through the 2-1/8" door handle hole.

- Put the transmission shaft through the square hole of the latch.
- When the front lock body is in place, hold the inside rubber gasket against the back side of the door, put the power wire through the hole which is on the side of the handle of the back iron panel, and place the back iron panel over the gasket and onto the stem protruding from the front lock body.
- Secure the back iron panel to the front lock body with the two screws provided. When the lock is completely attached, screw the latch into the side of the door.
- Connect the power wire with the battery box.
- Secure the back iron panel to the door with the truss socket head screw provided through the lock body anti-rotation screw hole.
- Install 4 alkaline AA batteries.
- Place the back cover and secure it with the copper loop.

### 5. Installing the Strike Plate



- Place the strike lining box into the square strike cavity.
- Place the strike plate on the lining box and tighten the screws.